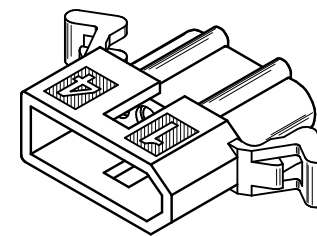
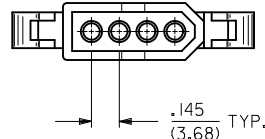
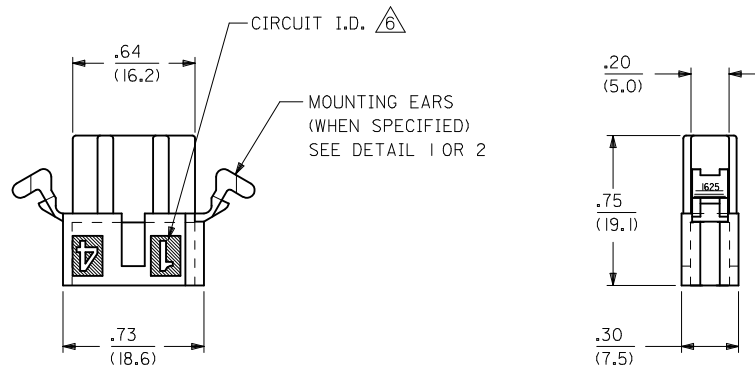
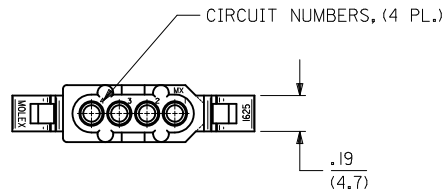


**RECEPTACLE HOUSING**



**PLUG HOUSING**

2	0
1	0
SHT.	REV.

**UPDATE REV. LEVEL**  
 EC NO: UCP2010-3332  
 DRW: AELHAG 2010/06/30  
 CHKD: JBELL 2010/06/30  
 APPR: FSMITH 2010/07/08

QUALITY SYMBOLS  
 ▽=0  
 ▽=0

GENERAL TOLERANCES (UNLESS SPECIFIED)  

	mm	INCH
4 PLACES	± .010	± .0004
3 PLACES	± .010	± .0004
2 PLACES	± 0.25	± .010
1 PLACE	± 0.36	± .014

 ANGULAR ± 1°  
 DRAFT WHERE APPLICABLE  
 MUST REMAIN WITHIN DIMENSIONS

DIMENSION STYLE  
**IN/MM**  
 DRAWN BY DATE  
 AELHAG 2010/06/30  
 CHECKED BY DATE  
 JBELL 2010/06/30  
 APPROVED BY DATE  
 FSMITH 2010/07/08

SCALE ---  
 DESIGN UNITS INCH  
 THIRD ANGLE PROJECTION  
**PLUG & RECEPTACLE HOUSINGS, 4 CIRCUIT, .062 DIA., .145 CENTERS**  
**MOLEX INCORPORATED**  
 MATERIAL NO. SD-1625-4\*  
 DOCUMENT NO.  
 SHEET NO. 1 OF 2

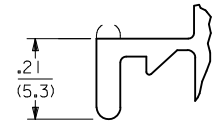
**SEE CHART**  
 THIS DRAWING CONTAINS INFORMATION THAT IS PROPRIETARY TO MOLEX INCORPORATED AND SHOULD NOT BE USED WITHOUT WRITTEN PERMISSION

PLUG		
PART NO.	ENG. NO.	
03-06-2041	1625-4P	
03-06-7041	1625-4PBK	OBSOLETE
03-06-2042	1625-4P1	
03-06-7042	1625-4P1BK	
NOT TOOLED	1625-4P2	
NOT TOOLED	1625-4P2BK	
	-	
	-	

RECEPTACLE		
PART NO.	ENG. NO.	
03-06-1041	1625-4R	
03-06-6041	1625-4RBK	OBSOLETE
03-06-1042	1625-4R1	
03-06-6042	1625-4R1BK	
50-29-1758	1625-4R2	
	-	
	-	
	-	

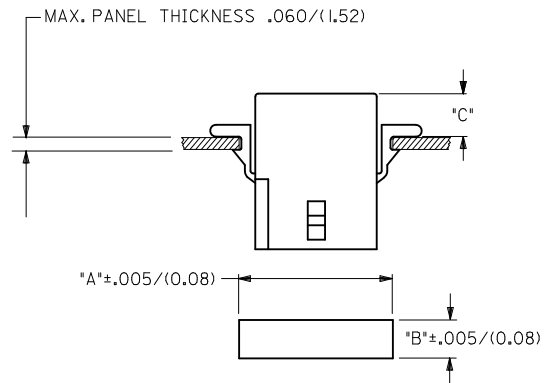
**LEGEND:**

1625-4\*\*\*  
 CIRCUIT SIZE  
 R = RECEPTACLE  
 P = PLUG  
 BLANK = WITH STANDARD MTG. EARS  
 1 = WITHOUT EARS  
 2 = WITH PREBENT MTG. EARS  
 BLANK = NOT DYED  
 AM=AMBER BK=BLACK BU=BLUE  
 BN=BROWN GY=GRAY GN=GREEN  
 OR=ORANGE RD=RED YW=YELLOW



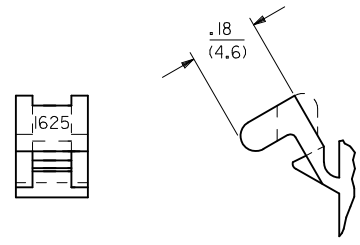
**DETAIL 1**

STANDARD MOUNTING EARS  
 (SCALE 4:1)



RECOMMENDED PANEL OPENING

HOUSING	DIM. "A"	DIM. "B"	"C" PREBENT EAR	"C" STANDARD EAR
PLUG	.865/(2.197)	.312/(7.92)	.19/(4.8)	.18/(4.6)
RECEPT.	.785/(19.94)	.260/(6.60)	.21/(5.3)	.20/(5.1)



**DETAIL 2**

PREBENT MOUNTING EARS  
 (SCALE 4:1)

NOTES:

- MATERIAL - NYLON TYPE 6/6, 94V-2
- FINISH: N/A.
- THIS PRODUCT COMPLIES WITH MOLEX PRODUCT SPECIFICATION PS-02-06
- PACKAGING: PK-1625-003.
- HOUSINGS FOR USE WITH MOLEX .062/(1.57) DIA. SERIES TERMINALS.
- CIRCUIT I.D. NUMBERS ON SIDE OF HOUSING APPEAR ON PARTS FROM TOOLS BUILT AFTER 8/10/92. PARTS FROM TOOLS BUILT BEFORE THIS DATE WILL HAVE CIRCUIT I.D. RIBS ON HOUSING.
- PARTS CONFORM TO CLASS 'B' REQUIREMENTS OF COSMETIC SPECIFICATION PS-45499-002.

RE-INSTATE 1625-4R EC NO: UCP2010-3332 DRWN: AELHAG 2010/06/30 CHKD: JBELL 2010/06/30 APPR: FSMITH 2010/07/08	QUALITY SYMBOLS = 0 = 0	GENERAL TOLERANCES (UNLESS SPECIFIED)		DIMENSION STYLE <b>IN/MM</b>	SCALE ---	DESIGN UNITS <b>INCH</b>	THIRD ANGLE PROJECTION
		4 PLACES ± --- ± --- 3 PLACES ± --- ± .010 2 PLACES ± 0.25 ± .014 1 PLACE ± 0.36 ± ---	mm INCH DRAWN BY DATE AELHAG 2010/06/30 CHECKED BY DATE JBELL 2010/06/30 APPROVED BY DATE FSMITH 2010/07/08	TITLE <b>PLUG &amp; RECEPTACLE HOUSINGS, 4 CIRCUIT, .062 DIA., .145 CENTERS</b>		<b>MOLEX INCORPORATED</b>	
DRAFT WHERE APPLICABLE MUST REMAIN WITHIN DIMENSIONS		SEE CHART		THIS DRAWING CONTAINS INFORMATION THAT IS PROPRIETARY TO MOLEX INCORPORATED AND SHOULD NOT BE USED WITHOUT WRITTEN PERMISSION			