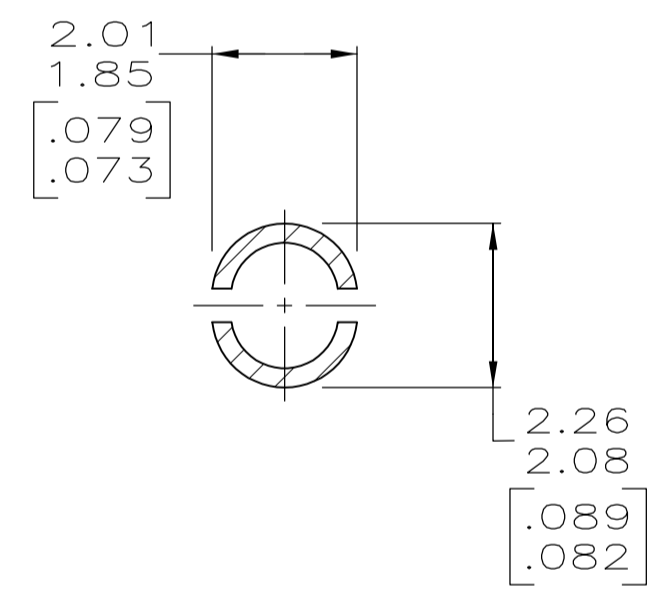
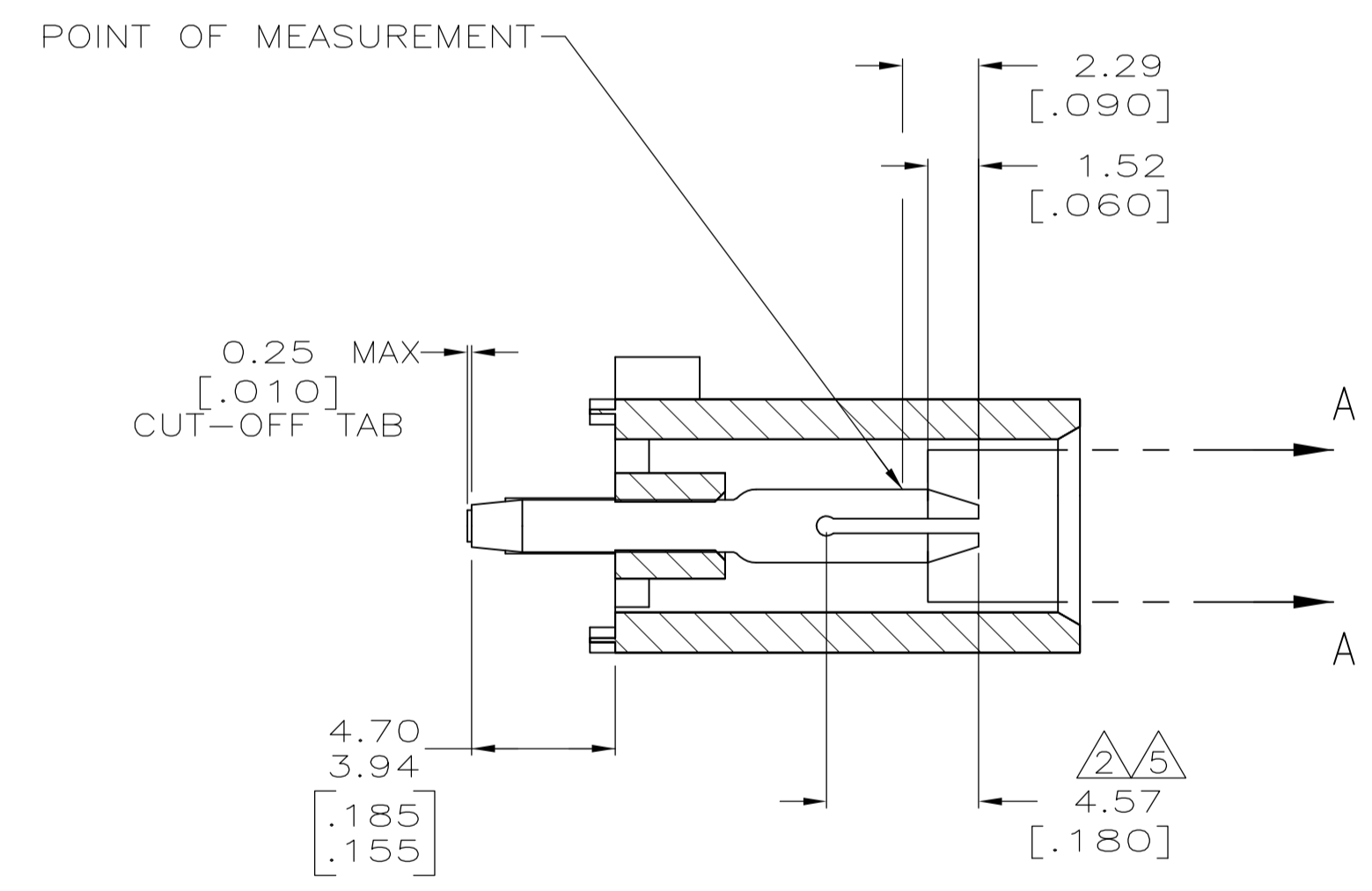
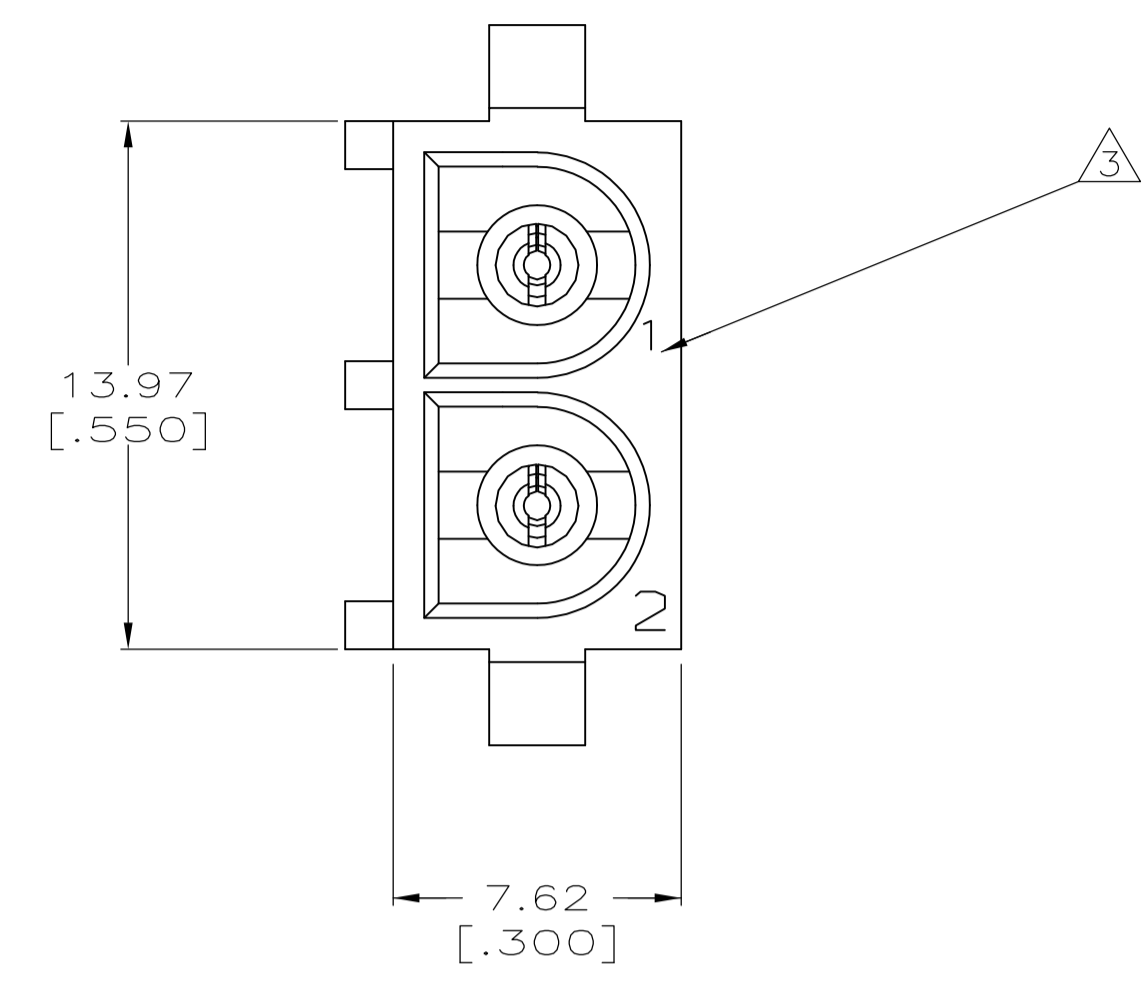
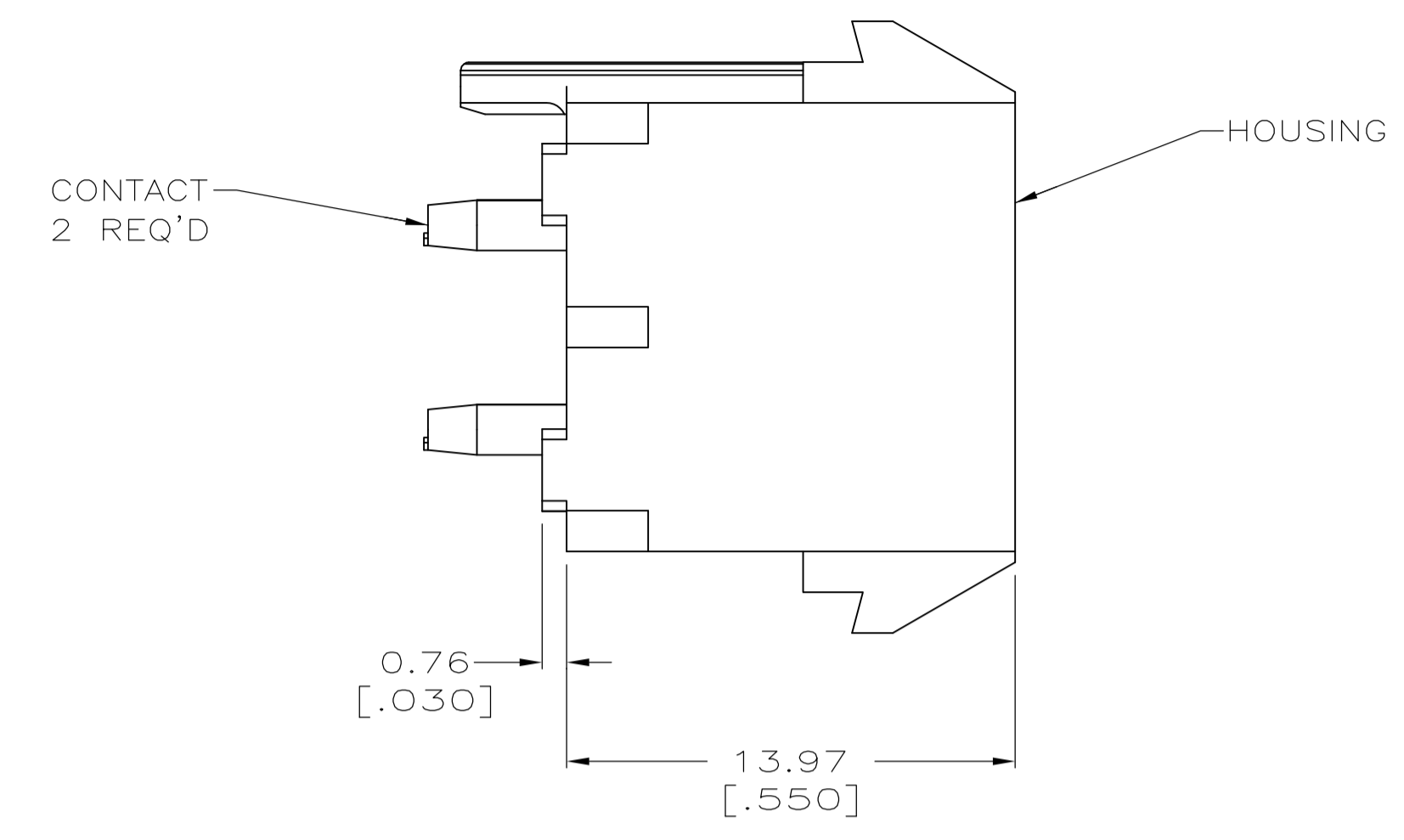
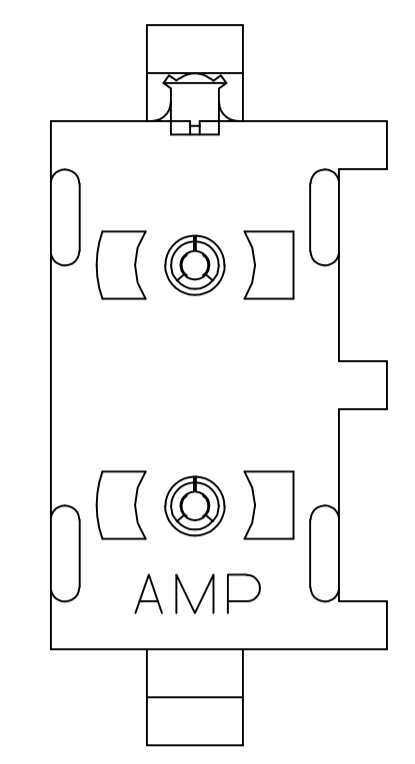
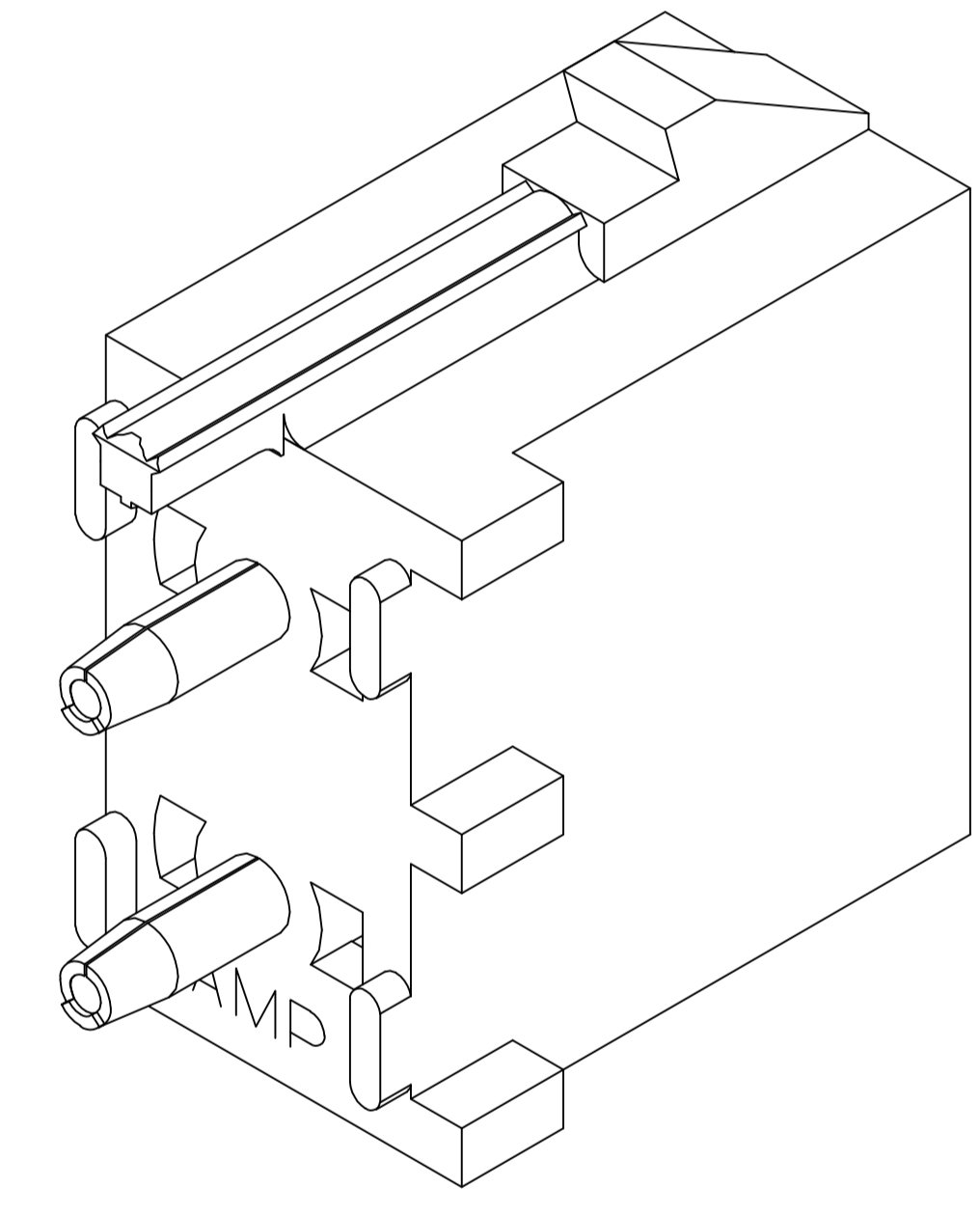


LOC		DIST		REVISIONS			
CM	00	REV	DATE	BY	CHK	APPV	
K1	REVISED PER ECR-12-011660		31JAN13	KH		TM	

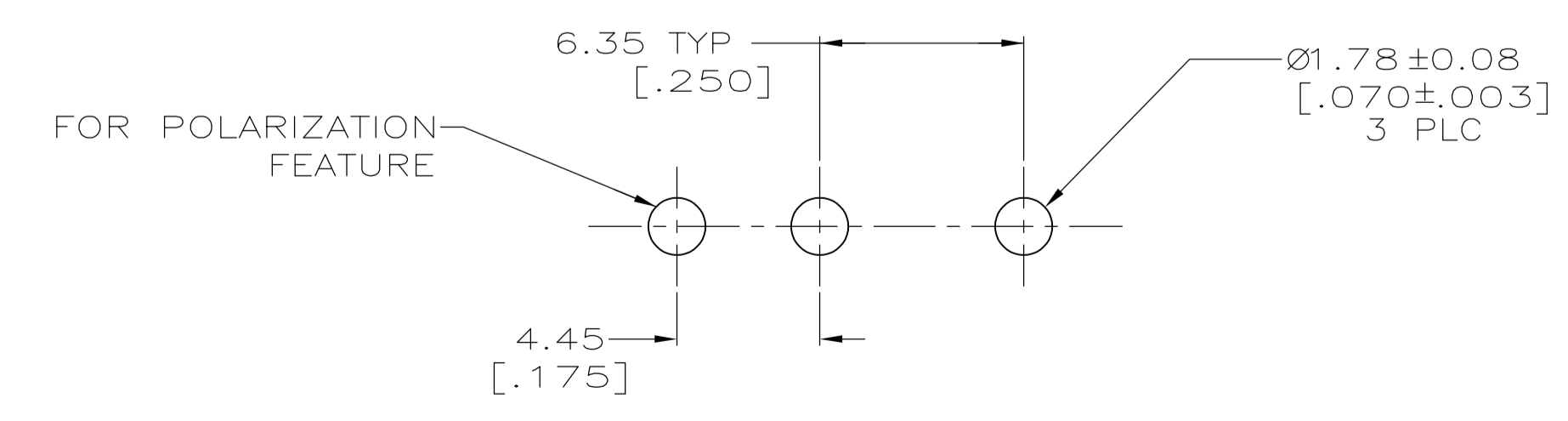
- 1 PARTS COMPLY TO AMP SOLDERABILITY SPECIFICATION 109-11-3.
- 2 CONTACT IS PLATED OVERALL WITH 0.00127[.000050] NICKEL, THEN 0.00076 [.000030] GOLD OVER CONTACT LENGTH INDICATED AND MATTE TIN LEAD ON SOLDER TAIL END.
- 3 CIRCUIT IDENTIFICATION CHARACTERS ARE ADJACENT TO THE INDICATED CAVITIES, BUT LOCATION AND ORIENTATION MAY DIFFER FROM PRINT.
- 4 DIMENSIONS IN BRACKETS ARE IN INCHES.
- 5 CONTACT IS PLATED OVERALL WITH 0.00127[.000050] NICKEL, THEN 0.00076 [.000030] GOLD OVER CONTACT LENGTH INDICATED AND MATTE TIN ON SOLDER TAIL END.
- 6 SUPERSEDED BY 641963-3



SECTION A-A
SCALE 10:1



3-DIMENSIONAL MODEL
NTS



RECOMMENDED MOUNTING HOLE PATTERN
FOR 1.57 [.062] THICK P.C. BOARD

MATERIAL	FINISH	HOUSING MATERIAL	PART NUMBER
PHOSPHOR BRONZE, GOLD	5	NYLON,UL94V-2,NATURAL	641963-3
PHOSPHOR BRONZE, GOLD	2	NYLON,UL94V-2,NATURAL	641963-2
PHOSPHOR BRONZE, PRE-TIN		NYLON,UL94V-2,NATURAL	641963-1

THIS DRAWING IS A CONTROLLED DOCUMENT.		DIN L McEACHIN 07-JAN-2000		TE Connectivity	
DIMENSIONS: mm [INCHES]		CHK K COBLE 07-JUN-2000			
TOLERANCES UNLESS OTHERWISE SPECIFIED:		APPV K COBLE 07-JUN-2000		NAME	
0 PLC ± -		PRODUCT SPEC		PIN HEADER ASSEMBLY, POLARIZED, 2 CIRCUIT™ UNIVERSAL MATE-N-LOK™	
1 PLC ± -		APPLICATION SPEC		SIZE	
2 PLC ± 0.13 [.005]		WEIGHT		CAGE CODE	
3 PLC ± -		DRAWING NO		DRAWING NO	
4 PLC ± -		RESTRICTED TO		DRAWING NO	
ANGLES ± 0°30'		CUSTOMER DRAWING		SCALE 5:1	
MATERIAL SEE TABLE		FINISH SEE TABLE		SHEET 1 OF 1	
		A1 00779 641963		REV K1	