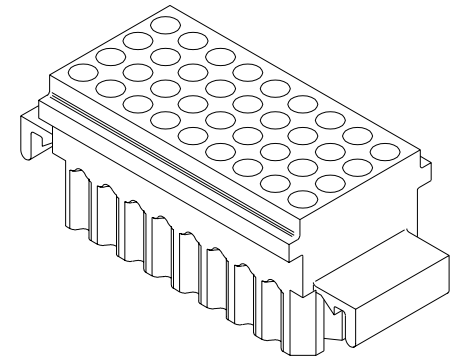
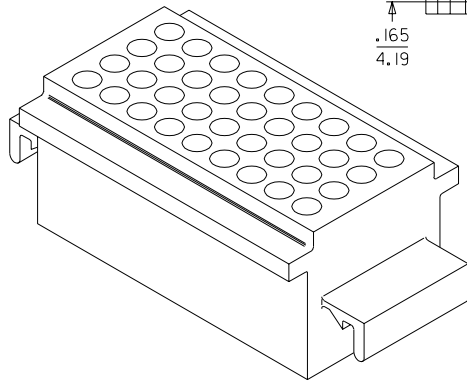
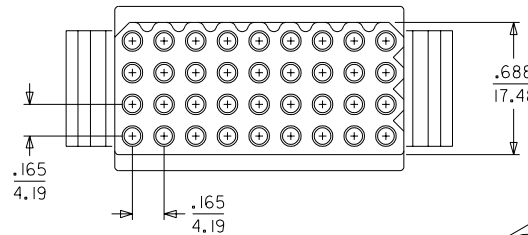
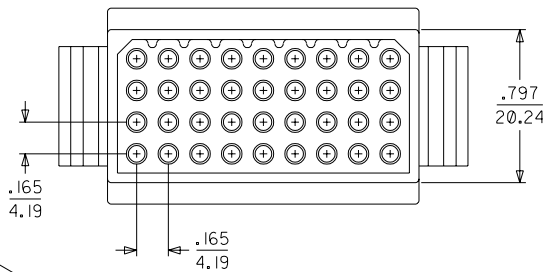
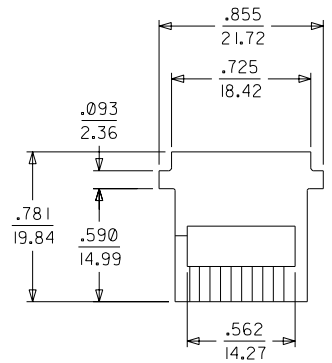
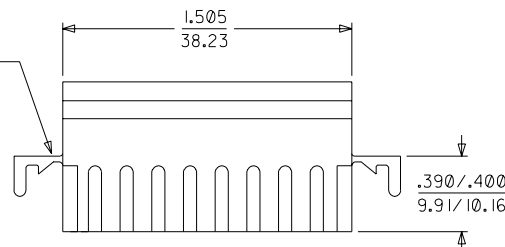


MOUNTING EARS OPTIONAL  
SEE SHEET 2 FOR DETAIL.



**PLUG**

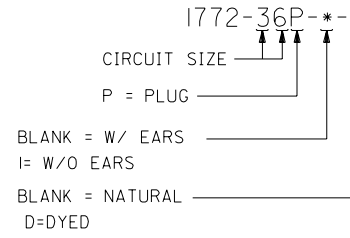
**RECEPTACLE**

CORRECT LEGENDS ADD DATE/DRAWING NO. EC NO: LCP2004-0895 DRWN: ELHAG 11/10/03 CHK: ELHAG 11/10/03 APPR: FSMITH 11/11/03	QUALITY SYMBOLS MAJOR $\blacktriangledown = 0$ CRITICAL $\nabla = 0$	GENERAL TOLERANCES: (UNLESS SPECIFIED)		SCALE 2 : 1	DESIGN UNITS <input type="checkbox"/> mm <input checked="" type="checkbox"/> INCH	THIRD ANGLE PROJECTION DIMENSIONS: <input type="checkbox"/> mm <input checked="" type="checkbox"/> INCH <input type="checkbox"/> mm ONLY	TITLE: .062/(1.57) HOUSING, PLUG AND RECEPTACLE, 36 - CIRCUIT		SHEET NO. 1 of 2
		4 PLACES $\pm 0.---$ $\pm .005$	DRAWN BY & DATE JBS 06/10/03	MOLEX INCORPORATED			REVISE ON CAD ONLY		
		3 PLACES $\pm 0.13$ $\pm .01$	CHECKED BY & DATE BW 06/13/03	MATERIAL NO. SEE CHART			DRAWING NO. SD-1772-36*-*-*		
		2 PLACES $\pm 0.25$ $\pm .---$	APPROVED BY & DATE BW 06/16/03	CAD FILENAME SD1772-36*.DGN			THIS DRAWING CONTAINS INFORMATION THAT IS PROPRIETARY TO MOLEX INCORPORATED AND SHOULD NOT BE USED WITHOUT WRITTEN PERMISSION.		
1 PLACE $\pm 0.$ $\pm .$	ANGLAR: $\pm .5^\circ$	DRAFT WHERE APPLICABLE MUST REMAIN WITHIN DIMENSIONS		SIZE C					

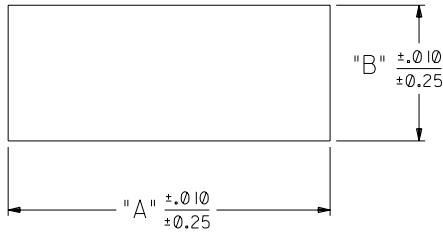
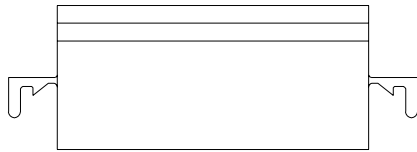
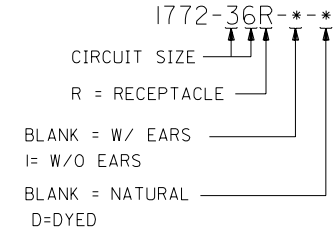
PLUG	
PART NO.	ENG. NO.
03-06-2361	1772-36P
03-06-2362	1772-36P-1
03-06-7361	1772-36P-D
03-06-7362	1772-36P-1-D

RECEPTACLE	
PART NO.	ENG. NO.
03-06-1361	1772-36R
03-06-1362	1772-36R-1
03-06-6361	1772-36R-D
03-06-6362	1772-36R-1-D

**PLUG LEGEND:**



**RECEPTACLE LEGEND:**



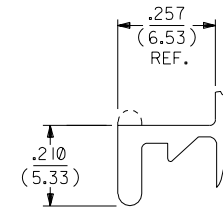
HOUSING	DIM. "A"	DIM. "B"
PLUG	1.795/(45.59)	.825/(20.96)
RECEPTACLE	1.677/(42.60)	.707/(17.96)

RECOMMENDED PANEL OPENING

\* MAX. PANEL THICKNESS IS .060.

NOTES:

1. MATERIAL: PA 66, UL 94V-2; COLOR: NATURAL.
2. FINISH: NONE.
3. PRODUCT SPECIFICATION: NONE.
4. PACKAGING SPECIFICATION: NONE.
5. FOR USE WITH .062 SERIES TERMINALS.



**MOUNTING EAR DETAIL**

(SCALE 4:1)

DIMENSIONS SHOWN (METRIC) INCH		▽ = 0		▼ = 2		REVISE ONLY ON CAD SYSTEM	
UNLESS OTHERWISE SPECIFIED TOLERANCES: ANGULAR $\pm 10^\circ$		INCH		METRIC		TITLE	
3 PLACE	$\pm .005$	---	---	.062/(1.57) HOUSING, PLUG AND RECEPTACLE, 36 CIRCUIT			
2 PLACE	$\pm .01$	$\pm 0.13$	---	SEE CHART			
1 PLACE	---	$\pm 0.25$	---	MOLEX INCORPORATED SHEET NO. DATE			
DRAFT WHERE APPLICABLE MUST REMAIN WITHIN DIMENSIONS		PART NO.		U.S.A.		06/10/03	
DRG. BY: JBS		CHK'D. BY: BW		FILE NAME: SD 1772-36		DIV.:	
APP'D. BY: BW		SCALE: 2:1		DGN:		CP	
LTR.	REVISIONS	LTR.	REVISIONS	THIS DRAWING CONTAINS INFORMATION THAT IS PROPRIETARY TO MOLEX INC. AND SHOULD NOT BE USED WITHOUT WRITTEN PERMISSION.			