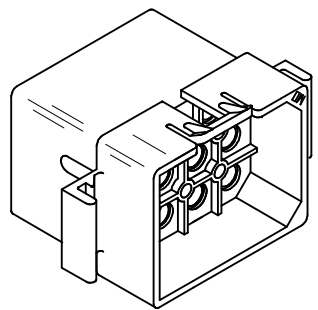
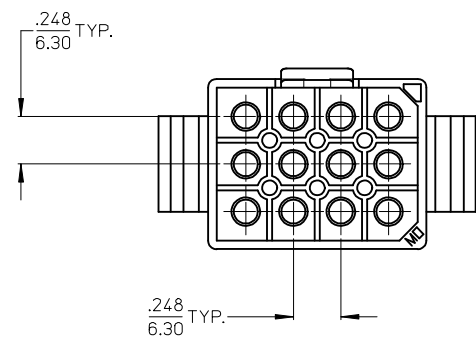
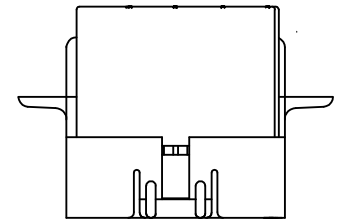
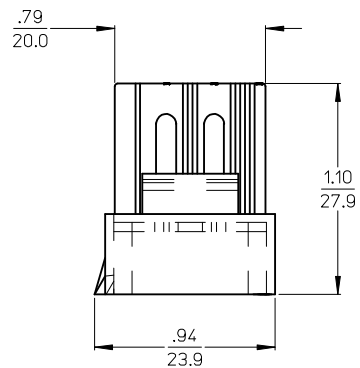
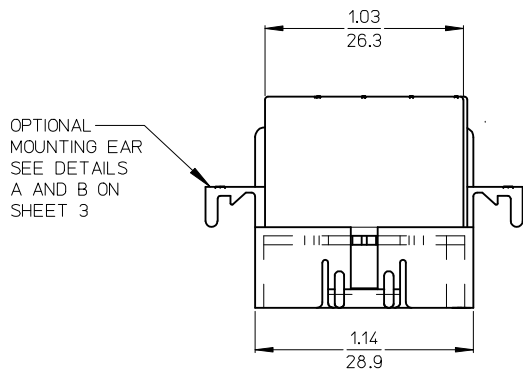
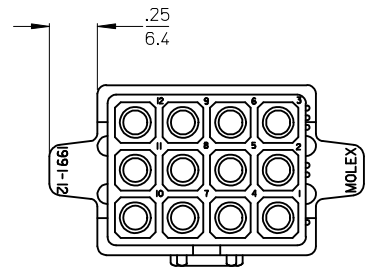
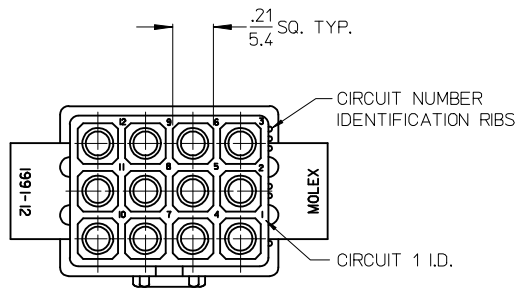
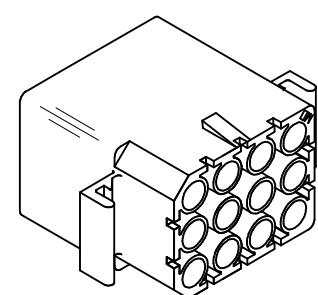
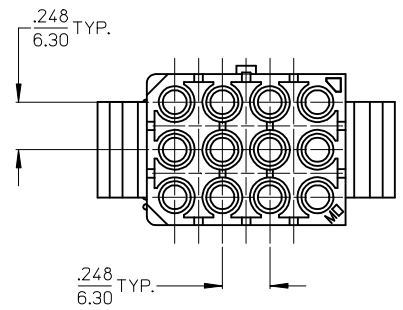
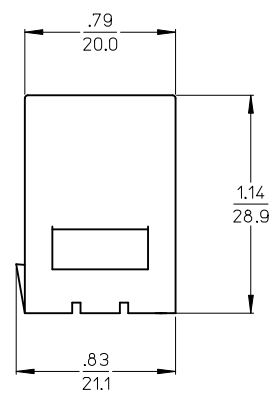
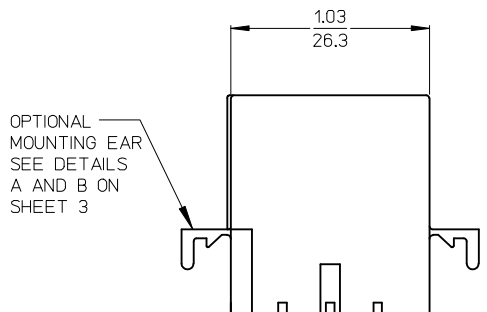
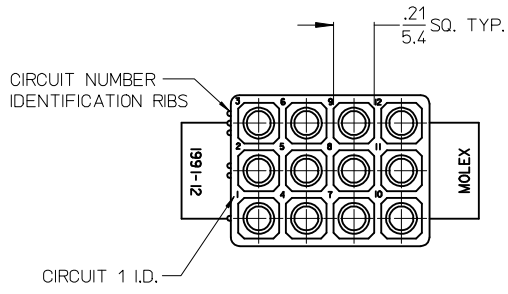


PLUG



| REMOVE -12P, -12R2 EC NO: UCP2014-3949 DRWIN/KIPPER 2014/03/28 CHKD:ANDERSON 2014/03/28 APPR:FSMITH 2014/06/10 | DESCRIPTION 1991-12 | QUALITY SYMBOLS | GENERAL TOLERANCES (UNLESS SPECIFIED) | DIMENSION STYLE | SCALE | DESIGN UNITS | THIRD ANGLE PROJECTION | | | | | | | | | | | | | | | | | | |
|----------------------------------------------------------------------------------------------------------------------------|--------------------------------------------------------------------------------------------------|-------------------------------------------------------------------------------------------------------------------------------|-------------------------------------------------------------------------------------------------------------------------------------------------------------------------------------------------------------------------------------------------------------------------------------------------------------------------------------------------------------------------------------------------------------------------------|---------------------|-------|--------------|------------------------|--------|---------|----------|--------|--------|----------|--------|--------|---------|--------|--------|---------|--------|---------|-------|-----|------|--|
| | | $\nabla = 0$ $\nabla = 0$ $\nabla = 0$ | <table border="1"> <thead> <tr> <th></th> <th>mm</th> <th>INCH</th> </tr> </thead> <tbody> <tr> <td>4 PLACES</td> <td>± .005</td> <td>± .0005</td> </tr> <tr> <td>3 PLACES</td> <td>± .005</td> <td>± .010</td> </tr> <tr> <td>2 PLACES</td> <td>± 0.25</td> <td>± .014</td> </tr> <tr> <td>1 PLACE</td> <td>± 0.35</td> <td>± .014</td> </tr> <tr> <td>0 PLACE</td> <td>± .005</td> <td>± .0005</td> </tr> </tbody> </table> | | mm | INCH | 4 PLACES | ± .005 | ± .0005 | 3 PLACES | ± .005 | ± .010 | 2 PLACES | ± 0.25 | ± .014 | 1 PLACE | ± 0.35 | ± .014 | 0 PLACE | ± .005 | ± .0005 | IN/MM | 2:1 | INCH | |
| | | | mm | INCH | | | | | | | | | | | | | | | | | | | | | |
| | | 4 PLACES | ± .005 | ± .0005 | | | | | | | | | | | | | | | | | | | | | |
| 3 PLACES | ± .005 | ± .010 | | | | | | | | | | | | | | | | | | | | | | | |
| 2 PLACES | ± 0.25 | ± .014 | | | | | | | | | | | | | | | | | | | | | | | |
| 1 PLACE | ± 0.35 | ± .014 | | | | | | | | | | | | | | | | | | | | | | | |
| 0 PLACE | ± .005 | ± .0005 | | | | | | | | | | | | | | | | | | | | | | | |
| DRAWN BY: KBW CHECKED BY: RW APPROVED BY: FSMITH DATE: 1989/04/25 DATE: 1989/04/25 DATE: 2014/06/10 | TITLE .093/(2.36) HOUSINGS PLUG & RECEPTACLE 12 CKT .248/(6.30) CENTERS molex | MATERIAL NO. SEE CHART | DOCUMENT NO. SD-1991-12* | SHEET NO. 1 OF 3 | | | | | | | | | | | | | | | | | | | | | |
| DRAFT WHERE APPLICABLE MUST REMAIN WITHIN DIMENSIONS | | THIS DRAWING CONTAINS INFORMATION THAT IS PROPRIETARY TO MOLEX INCORPORATED AND SHOULD NOT BE USED WITHOUT WRITTEN PERMISSION | | | | | | | | | | | | | | | | | | | | | | | |

RECEPTACLE



| | | | | | | | | | | |
|-------------------------------------------------------------------------------------------------------------------------------|--------------------|-----------------|---------------------------------------|-----------------------|--------------------------|-----------------------|----------------------------------------------------------------------------------|----------------------|------------------------|-----------|
| SEE SHEET 1 EC NO: UCP2014-3949 DRWN:KIPPER 2014/03/28 CHKD:ANDERSON 2014/03/28 APPR:FSMITH 2014/06/10 | DESCRIPTION REV | QUALITY SYMBOLS | GENERAL TOLERANCES (UNLESS SPECIFIED) | | DIMENSION STYLE IN/MM | | SCALE 2:1 | DESIGN UNITS INCH | THIRD ANGLE PROJECTION | |
| | | ▽=0 | mm | INCH | DRAWN BY KBW | DATE 1989/04/25 | TITLE .093/(2.36) HOUSINGS PLUG & RECEPTACLE 12 CKT .248/(6.30) CENTERS | | | |
| | | ▽=0 | 4 PLACES ± --- ± --- | 3 PLACES ± --- ± .010 | CHECKED BY RW | DATE 1989/04/25 | | | | |
| | | ▽=0 | 2 PLACES ± 0.25 ± .014 | 1 PLACE ± 0.35 ± --- | 0 PLACE ± --- ± --- | APPROVED BY FSMITH | DATE 2014/06/10 | MATERIAL NO. | DOCUMENT NO. | SHEET NO. |
| DRAFT WHERE APPLICABLE MUST REMAIN WITHIN DIMENSIONS | | | ANGULAR ±1/2° | | SEE CHART | | SD-1991-12* | | 2 OF 3 | |
| THIS DRAWING CONTAINS INFORMATION THAT IS PROPRIETARY TO MOLEX INCORPORATED AND SHOULD NOT BE USED WITHOUT WRITTEN PERMISSION | | | | | | | | | | |

| PLUG | | |
|--------------|------------|------------------|
| ORDER NO | ENG NO | PKG. INFORMATION |
| I9 -09-2 I22 | I991-I2P2 | PK-1991-002 |
| I9 -09-7 I21 | I991-I2PBK | PK-1991-001 |
| - - | - | - |
| - - | - | - |

| RECEPTACLE | | |
|--------------|-------------|------------------|
| ORDER NO | ENG NO | PKG. INFORMATION |
| I9 -09-1 I22 | I991-I2R1 | PK-1991-002 |
| I9 -09-6 I21 | I991-I2R2BK | PK-1991-001 |
| I9 -09-6 I22 | I991-I2R1BK | PK-1991-001 |
| - - | - | - |
| - - | - | - |

PLUG LEGEND

I991-I2****

CIRCUIT SIZE
P = PLUG

BLANK = WITH PULL TABS
1 = WITHOUT EARS/WITHOUT PULL TABS
2 = WITH STANDARD EARS
3 = WITH PREBENT EARS

COLOR: _____
BLANK = NATURAL COLOR
AM = AMBER BK = BLACK BU = BLUE
BN = BROWN GY = GRAY GN = GREEN
OR = ORANGE RD = RED YW = YELLOW

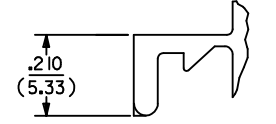
RECEPTACLE LEGEND

I991-I2****

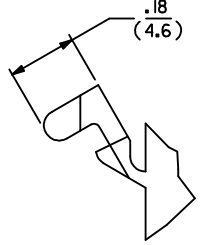
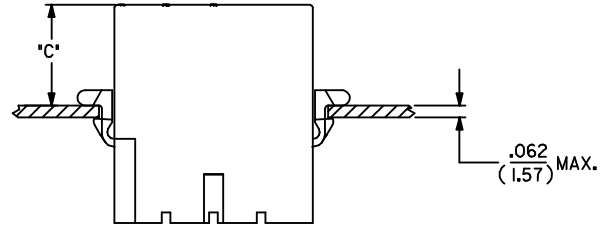
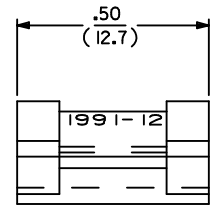
CIRCUIT SIZE
R = RECEPTACLE

1 = WITHOUT EARS
2 = WITH STANDARD EARS
3 = WITH PREBENT EARS

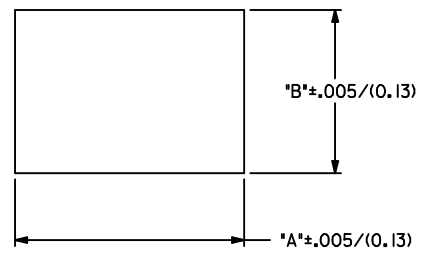
COLOR: _____
BLANK = NATURAL COLOR
AM = AMBER BK = BLACK BU = BLUE
BN = BROWN GY = GRAY GN = GREEN
OR = ORANGE RD = RED YW = YELLOW



DETAIL A
STANDARD MOUNTING EAR
(SCALE 4:1)



DETAIL B
PREBENT MOUNTING EAR
(SCALE 4:1)



RECOMMENDED PANEL OPENING

| HOUSING | DIM. *A* | DIM. *B* | *C* PREBENT EAR | *C* STANDARD EAR |
|---------|---------------|--------------|-----------------|------------------|
| PLUG | 1.300/(33.02) | .910/(23.11) | .31/(7.9) | .30/(7.6) |
| RECEPT. | 1.194/(30.33) | .850/(21.60) | .54/(13.7) | .53/(13.5) |

- NOTES:
- MATERIAL: NYLON TYPE 6/6, 94V-2
 - FINISH: N/A
 - PRODUCT SPECIFICATION: PS-02-09
 - PACKAGING INFORMATION: SEE CHART
 - HOUSINGS FOR USE WITH MOLEX STANDARD .093/(2.36) TYPE TERMINALS.
 - PARTS CONFORM TO CLASS B REQUIREMENTS OF COSMETIC SPECIFICATION PS-45499-002.

| | | | | | | |
|------------------------------------------------------------------------------------------------------------------------|-----------------|---------------------------------------|---------------------------------------|-------------------------------------------------------------------------------------------------------------------------------|----------------------|------------------------|
| SEE SHEET 1 EC NO: UCP2014-3949 DRAWN: KIPPER 2014/03/28 CHKD: BANDESON 2014/03/28 APPR: FSMITH 2014/06/10 | QUALITY SYMBOLS | GENERAL TOLERANCES (UNLESS SPECIFIED) | DIMENSION STYLE IN/MM | SCALE 2:1 | DESIGN UNITS INCH | THIRD ANGLE PROJECTION |
| | ▽=0 | 4 PLACES ± --- ± --- | DRAWN BY DATE KBW 1989/04/25 | TITLE .093/(2.36) HOUSINGS PLUG & RECEPTACLE 12 CKT .248/(6.30) CENTERS | | |
| | ▽=0 | 3 PLACES ± --- ± .010 | CHECKED BY DATE RW 1989/04/25 | molex MATERIAL NO. SD-1991-12* DOCUMENT NO. 3 OF 3 | | |
| | ▽=0 | 2 PLACES ± 0.25 ± .014 | APPROVED BY DATE FSMITH 2014/06/10 | | | |
| REV | 1 | 1 PLACE ± 0.35 ± --- | ANGULAR ±1/2° | DRAFT WHERE APPLICABLE MUST REMAIN WITHIN DIMENSIONS | | |
| | | 0 PLACE ± --- ± --- | SIZE C | THIS DRAWING CONTAINS INFORMATION THAT IS PROPRIETARY TO MOLEX INCORPORATED AND SHOULD NOT BE USED WITHOUT WRITTEN PERMISSION | | |