

PLUG

MI	ADD RAMP LENGTH ECN #U4 0293 3-1-94 RW
M	REVISED PER ECR # U90659 KBW 07-25-89 RW
L	ADDED STANDOFFS PER ECR UB 2271 GEP 11-30-88 RW
K	REV. & FINAL REL. ECR UB 1710 GEP 7-14-88 RW
J	REVISED & REDRAWN PER ECR UB 0122 2-2-88 SCHAFFER
MFG.	SH. REV. LTR. REVISIONS

DIMENSIONS SHOWN METRIC (INCH)		▽ = 0	▼ = 0	REVISE ONLY ON CAD SYSTEM
UNLESS OTHERWISE SPECIFIED TOLERANCES ANGULAR ± .04°		TITLE		
INCH METRIC		.093/(2.36) HOUSING PLUG AND RECEPTACLE 6 CKT. .264/(6.70) CTRS.		
3 PLACE ± .010	---	MOLEX INCORPORATED SHEET NO. DATE L15LEJLL. 60532 U.S.A. 1 OF 3 1/25/88		
2 PLACE ± .014	± 0.25	PART NO. DRWG. NO.		
1 PLACE ---	± 0.36	SEE CHART SD-3191-6*		
DRAFT WHERE APPLICABLE MUST REMAIN WITHIN DIMENSIONS		APP'D. BY: JUS DRW'D. BY: RW SCALE: 2 : 1 FILE NAME: S31916.X1 APP'D. RAS		
THIS DRAWING CONTAINS INFORMATION THAT IS PROPRIETARY TO MOLEX INC. AND SHOULD NOT BE USED WITHOUT WRITTEN PERMISSION.		SIZE: CP C		

13 12 11 10 9 8 7 6 3191 4 3 2 1

PLUG		RECEPTACLE	
PART NO.	ENG. NO.	PART NO.	ENG. NO.
19-09-2068	3191-6P	19-09-1069	3191-6R1
19-09-2069	3191-6P1	19-09-1066	3191-6R1-201
19-09-2067	3191-6P-201	19-09-6060	3191-6R IRD
19-09-2066	3191-6P1-201	19-09-6069	3191-6R IBK
19-09-7069	3191-6PRD		
19-09-7068	3191-6PBK		

LEGEND:

3191-6****-*

CIRCUIT SIZE

P = PLUG

R = RECEPTACLE

EARS: BLANK = WITH PREBENT EARS (PLUG ONLY)

I = WITHOUT EARS

COLOR: BLANK = NATURAL COLOR

AM=AMBER BK=BLACK BU=BLUE

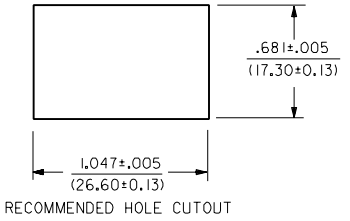
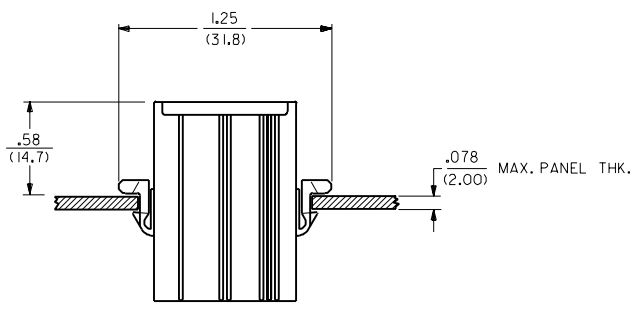
BN=BROWN GY=GRAY GN=GREEN

OR=ORANGE RD=RED YW=YELLOW

COLORS AVAILABLE ONLY IN 94V-2 MATERIAL

MATERIAL: BLANK=NYLON TYPE 6/6, 94V-2

201=NYLON TYPE 6/6, 94V-0



MOUNTING HOLE DETAIL

3191

DIMENSIONS SHOWN (METRIC) INCH		UNLESS OTHERWISE SPECIFIED TOLERANCES ANGLES ARE ± DPM		REVISIONS		REVISIONS		DRAWING INFORMATION		MOLEX INCORPORATED		SHEET NO. 3		DATE 1/22/88	
3 PLACE	± .010	---		M	SEE SHEET 1			FILE NAME	SEE CHART	PART NO.	SD-3191-6*				
2 PLACE	± .014	± 0.25		L	SEE SHT. 1			3191.6X3		60532					
1 PLACE	---	± 0.36		K	SEE SHT. 1			DCN							
DRAFT WHERE APPLICABLE MUST REMAIN WITHIN DIMENSIONS				J	SEE SHT. 1			DRAWING INFORMATION		MOLEX INC. AND SHOULD NOT BE USED WITHOUT WRITTEN PERMISSION		DIV. CP		SIZE C	
DRWG. BY	JUS	CHK'D. BY	RW	LTR.	REVISIONS	LTR.	REVISIONS	SCALE	---	---					
APP'D. BY	RAS	SCALE	---												

13 12 11 10 9 8 7 6 5 4 3 2 1