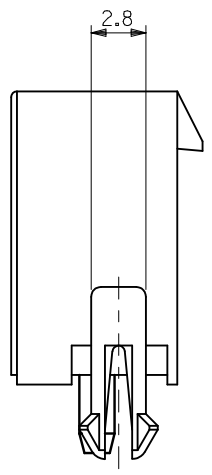
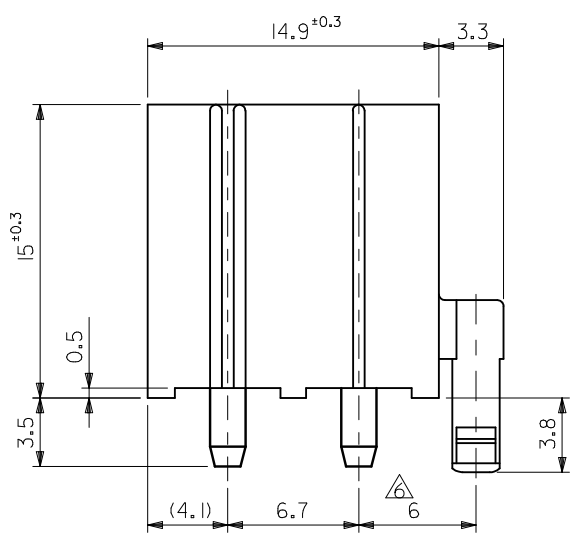
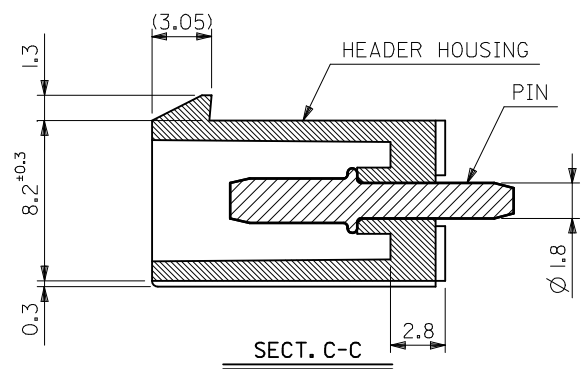
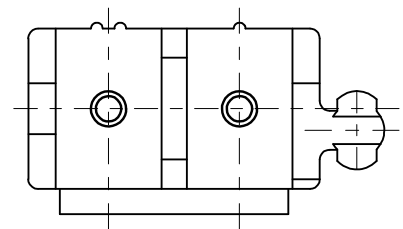


RECOMMENDED P.C.BOARD HOLE DIM.



NOTES:

- 1) MATERIAL:
 HOUSING: "BLANK" = NYLON 6/6, UL94V-2, COLOR: NATURAL
 "201" = NYLON 6/6, UL94V-0, COLOR: NATURAL
 TERMINAL: C2700W BRASS
- 2) FINISH: 0.000003/(.0000001) MIN. TIN OVERALL OVER
 0.000001/(.00000004) MIN. NICKEL OVERALL
- 3) PRODUCT SPECIFICATION: NONE
- 4) PACKAGING: NONE
- 5) MATES WITH: 3191-02R SERIES
 DIFFERENCE OF DIMENSION TO PREVENT RISE FROM P.C.B.
- 7) PARTS CONFORM TO CLASS 'B' REQUIREMENTS OF COSMETIC SPECIFICATION PS-45499-002.



2	39-28-7028	5219-02A-201
	15-31-1026	5219-02A
CIRCUITS	EDP.NO.	ENG.NO.
SCALE ---	DESIGN UNITS METRIC	THIRD ANGLE PROJECTION

TITLE
**NEW INTERNATIONAL CONN.
 HEADER AND ASSY**

molex MOLEX INCORPORATED

DOCUMENT NO. SD-5219-02A*-* SHEET NO. 1 OF 1

REMOVED DIMENSION EC NO: UCP2009-2076 DRWN:TRBENES 2009/02/24 CHKD:AEHLHAG 2009/03/13 APPR:FSMITH 2009/04/15	QUALITY SYMBOLS	GENERAL TOLERANCES (UNLESS SPECIFIED)	DIMENSION STYLE MM ONLY		
	DESCRIPTION N1	▽=0	mm INCH	DRAWN BY DATE	H.HASEGAWA 1994/10/26
		▽=0	4 PLACES ± --- ± ---	CHECKED BY DATE	H.HIRAMOTO 1996/02/26
			3 PLACES ± --- ± .005	APPROVED BY DATE	M.FUKUSHIMA 1996/02/26
			2 PLACES ± 0.13 ± .010	MATERIAL NO.	
	1 PLACE ± 0.25 ± ---	ANGULAR ± 1 °			
		DRAFT WHERE APPLICABLE MUST REMAIN WITHIN DIMENSIONS			
		SEE CHART			